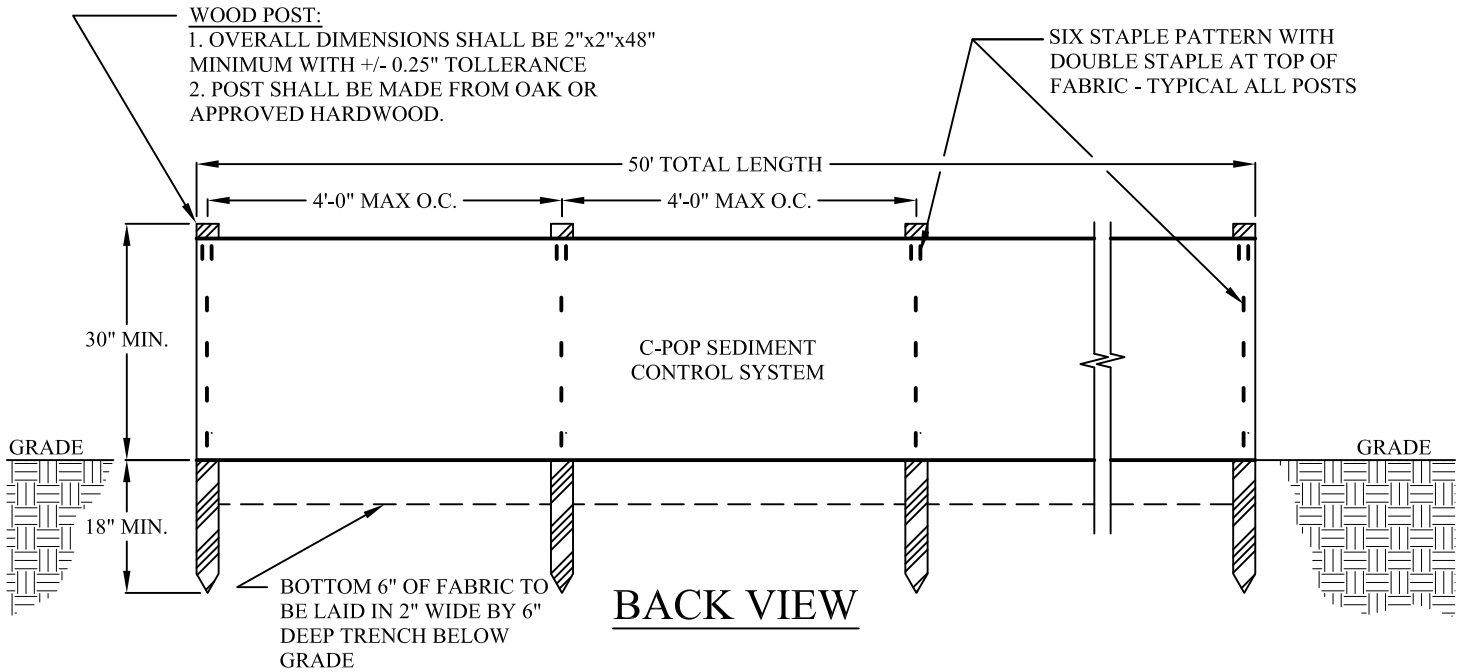


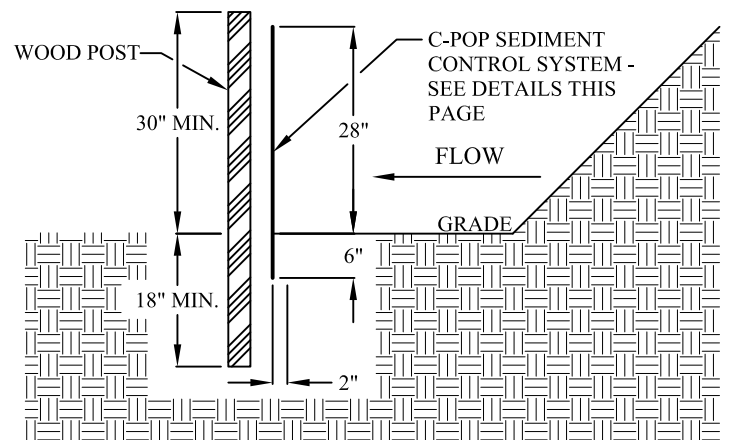
FRONT VIEW

WOOD POST:

1. OVERALL DIMENSIONS SHALL BE 2"x2"x48" MINIMUM WITH +/- 0.25" TOLLERANCE
2. POST SHALL BE MADE FROM OAK OR APPROVED HARDWOOD.



BACK VIEW



SIDE VIEW

NOTE:

1. USE 36" D.O.T. APPROVED FABRIC AND REINFORCEMENT.
2. USE D.O.T. APPROVED WOOD OR STEEL POST 4'-0" O.C.

**Landscape
Depot Inc.
Erosion Control Supplies**

C-POP SCHEMATIC

185 WALTER WAY
FAYETTEVILLE, GA 30214
770-719-3330
sales@landscape-depot.com